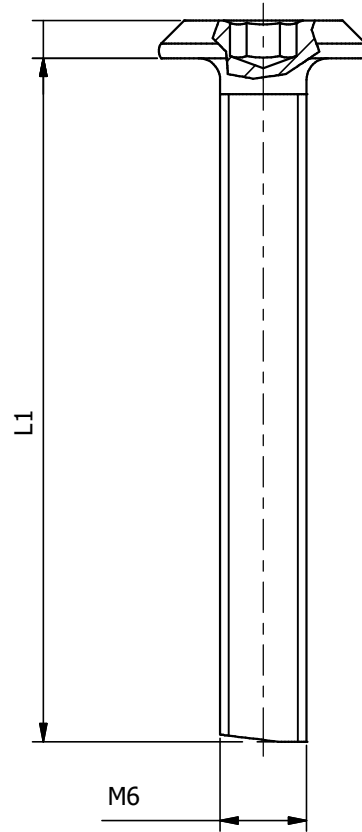
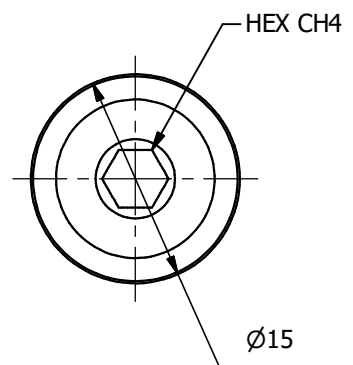


Veillez compléter le code 151 par la dimension du filetage ainsi que la finition. P.e; 151 620 001= M6X20mm en acier zingué blanc  
 acier zingué blanc: 001  
 acier nickelé: 003  
 acier zingué noir: 008  
 acier bruni: 007  
 acier zingué jaune: 002  
 inox 1.4301: 051  
 Le standard est le zingué blanc en classe 4.8, reste comme une autre finition; sur demande.

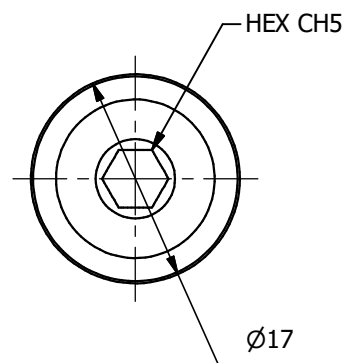
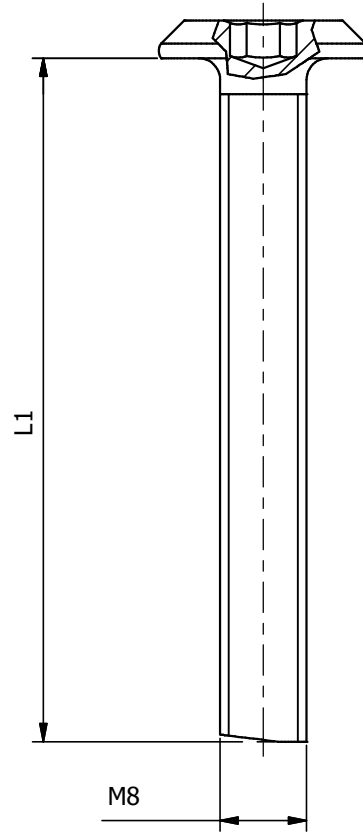


Dimension:	L1:
M6X8mm	8mm
M6X10mm	10mm
M6X12mm	12mm
M6X15mm	15mm
M6X16mm	16mm
M6X20mm	20mm
M6X25mm	25mm
M6X30mm	30mm
M6X35mm	35mm
M6X40mm	40mm
M6X45mm	45mm
M6X50mm	50mm
M6X55mm	55mm
M6X60mm	60mm
M6X65mm	65mm
M6X70mm	70mm
M6X75mm	75mm
M6X80mm	80mm
M6X90mm	90mm
M6X100mm	100mm
M6X110mm	110mm
M6X120mm	120mm



Please complete the code 151 with the thread size and the finishing code: For exemple 151 620 001 = M6X20 in steel blue zinc plated  
 steel blue zinc plated = 001  
 steel nickel plated = 003  
 steel black plated = 008  
 steel brown colored = 007  
 steel yellow zinc plated = 002  
 Steel blue zinc plating in class 4.8 is the standard, other finishings; on demand.

Veillez compléter le code 151 par la dimension du filetage ainsi que la finition. P.e; 151820 001= M8X20mm en acier zingué blanc  
 acier zingué blanc: 001  
 acier nickelé: 003  
 acier zingué noir: 008  
 Le standard est le zingué blanc en classe 4.8, reste comme une autre finition; sur demande.



Dimension:	L1:
M8X16mm	16mm
M8X25mm	25mm
M8X40mm	40mm
M8X45mm	45mm
M8X50mm	50mm

Please complete the code 151 with the thread size and the finishing code: For exemple 151 820 001 = M8X20 in steel blue zinc plated  
 steel blue zinc plated = 001  
 steel nickel plated = 003  
 steel black plated = 008  
 Steel blue zinc plating in class 4.8 is the standard, other finishings;on demand.