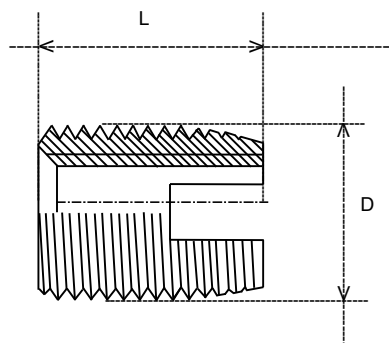




**Assortiment d'inserts auto-taraudants
fendus du modèle ES
Box selftapping slotted inserts type ES**

**Modèle 009
Type 009**



N° d'article: Article Nr:	Fil int: Int thread:	L:	D:	Ø trou: Hole Ø:	Qté: Qty:
009 306 005	M3	6mm	5*6,0mm	4,6-4,8mm	30 pcs
009 408 005	M4	8mm	6,5*0,75mm	5,8-6,2mm	50 pcs
009 508 005	M5	8mm	8*1,00mm	7,1-7,6mm	20 pcs
009 510 005	M5	10mm	8*1,00mm	7,1-7,6mm	40 pcs
009 608 005	M6	8mm	9*1,00mm	8,1-8,6mm	20 pcs
009 612 005	M6	12mm	9*1,00mm	8,1-8,6mm	20 pcs
009 614 005	M6	14mm	10*1,50mm	8,6-9,4mm	40 pcs
009 812 005	M8	12mm	12*1,50mm	10,8-11,4mm	20 pcs
009 815 005	M8	15mm	12*1,50mm	10,8-11,4mm	30 pcs
009 918 005	M10	18mm	14*1,50mm	12,6-13,4mm	20 pcs
009 922 005	M12	22mm	16*1,50mm	14,6-15,4mm	5 pcs
009 952 005	M16	22mm	20*1,50mm	18,8-19,4mm	2 pcs



**Juno Industries
Stoktevijver 22
9930 Lievegem
Belgique
www.junoindustries.fr**

Acier 1.0718 trempé & zingué jaune, contient jusqu'à 0,35% de plomb. Coffret inclus.

Steel 1.0718 zinc yellow plated, contains up to 0,35% led. Box included.

**Tél France: +33-9.75.18.16.09
Tel BeNeLux: +32-9/395.95.90
Adresse mail:
co@junoindustries.fr
co@junoindustries.eu**