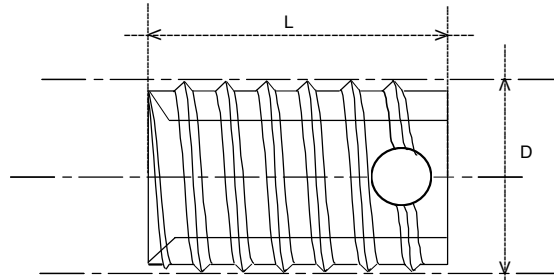




**Insert auto-taraudant à 3 trous  
coupants ouverts**  
**Selftapping insert with 3 cutting holes**

**Modèle 9413/9414**  
**Type 9413/9414**



N° d'article: Article Nr:	Filetage int: Int thread:	L:	D:	Ø trou: Hole Ø:	Matière: Material:
9413 304 03	M3	4mm	5*0,6mm	4,6-4,8mm	Inox303/Stainless st303
9413 304 061	M3	4mm	5*0,6mm	4,6-4,8mm	Ac trempé zn blanc/St zn pl
9414 306 03	M3	6mm	5*0,6mm	4,6-4,8mm	Inox303/Stainless st303
9413 406 03	M4	6mm	6,5*0,8mm	6,0-6,2mm	Inox303/Stainless st303
9413 406 061	M4	6mm	6,5*0,8mm	6,0-6,2mm	Ac trempé zn blanc/St zn pl
9414 408 03	M4	8mm	6,5*0,8mm	6,0-6,2mm	Inox303/Stainless st303
9414 408 061	M4	8mm	6,5*0,8mm	6,0-6,2mm	Ac trempé zn blanc/St zn pl
9413 507 03	M5	7mm	8*1,0mm	7,4-7,7mm	Inox303/Stainless st303
9413 507 061	M5	7mm	8*1,0mm	7,4-7,7mm	Ac trempé zn blanc/St zn pl
9414 510 03	M5	10mm	8*1,0mm	7,4-7,7mm	Inox303/Stainless st303
9414 510 061	M5	10mm	8*1,0mm	7,4-7,7mm	Ac trempé zn blanc/St zn pl
9413 608 03	M6	8mm	10*1,25mm	9,3-9,6mm	Inox303/Stainless st303
9413 608 061	M6	8mm	10*1,25mm	9,3-9,6mm	Ac trempé zn blanc/St zn pl
9414 612 03	M6	12mm	10*1,25mm	9,3-9,6mm	Inox303/Stainless st303
9414 612 061	M6	12mm	10*1,25mm	9,3-9,6mm	Ac trempé zn blanc/St zn pl
9413 809 03	M8	9mm	12*1,5mm	11,1-11,5mm	Inox303/Stainless st303
9413 809 061	M8	9mm	12*1,5mm	11,1-11,5mm	Ac trempé zn blanc/St zn pl
9414 814 03	M8	14mm	12*1,5mm	11,1-11,5mm	Inox303/Stainless st303
9414 814 061	M8	14mm	12*1,5mm	11,1-11,5mm	Ac trempé zn blanc/St zn pl
9413 100 03	M10	10mm	14*1,5mm	13,1-13,5mm	Inox303/Stainless st303
9413 100 061	M10	10mm	14*1,5mm	13,1-13,5mm	Ac trempé zn blanc/St zn pl
9414 108 03	M10	18mm	14*1,5mm	13,1-13,5mm	Inox303/Stainless st303
9414 108 061	M10	18mm	14*1,5mm	13,1-13,5mm	Ac trempé zn blanc/St zn pl
9413 122 03	M12	12mm	16*1,75	15,0-15,4mm	Inox303/Stainless st303
9413 122 061	M12	12mm	16*1,75	15,0-15,4mm	Ac trempé zn blanc/St zn pl
9414 123 061	M12	22mm	16*1,75	15,0-15,4mm	Ac trempé zn blanc/St zn pl
9413 952 061	M16	14mm	20*2,0mm	19,0-19,4mm	Ac trempé zn blanc/St zn pl
9414 953 061	M16	24mm	20*2,0mm	19,0-19,4mm	Ac trempé zn blanc/St zn pl



**Juno Industries**  
**Stoktevijver 22**  
**9930 Lievegem**  
**Belgique**  
**www.junoindustries.fr**

Acier 1.0718 trempé & zingué blanc,  
contient jusqu'à 0,35% de plomb

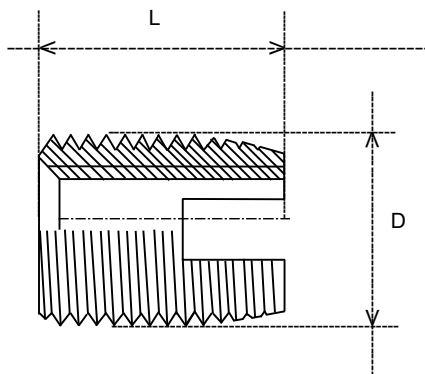
Steel 1.0718 zinc plated, contains up  
to 0,35% lead

**Tél France: +33-9.75.18.16.09**  
**Tel BeNeLux: +32-9/395.95.90**  
**Adresse mail:**  
**co@junoindustries.fr**  
**co@junoindustries.eu**



**Insert auto-taraudant fendu du modèle ES**  
**Selftapping slotted insert type ES**

**Modèle 009**  
**Type 009**



N° d'article:	Filetage intérieur:	L:	D:	Ø trou:	Matière:
Article Nr:	Interior thread:			Hole Ø:	Material:
009 812 01	M8	12mm	12*1,50mm	10,8-11,4mm	Laiton/brass
009 812 061	M8	12mm	12*1,50mm	10,8-11,4mm	Ac zn bl/St zn pl
009 812 005	M8	12mm	12*1,50mm	10,8-11,4mm	Ac zn jaune/St zn yellow pl
009 815 01	M8	15mm	12*1,50mm	10,8-11,4mm	Laiton/brass
009 815 061	M8	15mm	12*1,50mm	10,8-11,4mm	Ac zn bl/St zn pl
009 815 005	M8	15mm	12*1,50mm	10,8-11,4mm	Ac zn jaune/St zn yellow pl
009 815 03	M8	15mm	12*1,50mm	10,8-11,4mm	Inox303/Stainless st303
009 916 01	M10	16mm	14*1,50mm	12,6-13,4mm	Laiton/brass
009 916 061	M10	16mm	14*1,50mm	12,6-13,4mm	Ac zn bl/St zn pl
009 916 005	M10	16mm	14*1,50mm	12,6-13,4mm	Ac zn jaune/St zn yellow pl
009 918 01	M10	18mm	14*1,50mm	12,6-13,4mm	Laiton/brass
009 918 061	M10	18mm	14*1,50mm	12,6-13,4mm	Ac zn bl/St zn pl
009 918 005	M10	18mm	14*1,50mm	12,6-13,4mm	Ac zn jaune/St zn yellow pl
009 918 03	M10	18mm	14*1,50mm	12,6-13,4mm	Inox303/Stainless st303
009 926 061	M10	18mm	16*1,50mm	14,6-15,4mm	Ac zn bl/St zn pl
009 926 005	M10	18mm	16*1,50mm	14,6-15,4mm	Ac zn jaune/St zn yellow pl
009 922 01	M12	22mm	16*1,50mm	14,6-15,4mm	Laiton/brass
090 922 061	M12	22mm	16*1,50mm	14,6-15,4mm	Ac zn bl/St zn pl
090 922 005	M12	22mm	16*1,50mm	14,6-15,4mm	Ac zn jaune/St zn yellow pl
009 922 03	M12	22mm	16*1,50mm	14,6-15,4mm	Inox303/Stainless st303
009 924 061	M14	24mm	18*1,50mm	16,6-17,4mm	Ac zn bl/St zn pl
009 952 061	M16	22mm	20*1,50mm	18,8-19,4mm	Ac zn bl/St zn pl
009 952 005	M16	22mm	20*1,50mm	18,8-19,4mm	Ac zn jaune/St zn yellow pl
009 952 03	M16	22mm	20*1,50mm	18,8-19,4mm	Inox303/Stainless st303
009 207 061	M20	27mm	20*1,50mm	24,8-25,4mm	Ac zn bl/St zn pl
009 207 005	M20	27mm	20*1,50mm	24,8-25,4mm	Ac zn jaune/St zn yellow pl
009 240 061	M24	30mm	30*1,50mm	28,8-30,4mm	Ac zn bl/St zn pl
009 240 005	M24	30mm	30*1,50mm	28,8-30,4mm	Ac zn jaune/St zn yellow pl



**Juno Industries**  
**Stoktevijver 22**  
**9930 Lievegem**  
**Belgique**  
**www.junoindustries.fr**

Acier 1.0718 trempé & zingué blanc,  
 contient jusqu'à 0,35% de plomb

Steel 1.0718 zinc plated, contains up  
 to 0,35% lead

**Tél France: +33-9.75.18.16.09**  
**Tel BeNeLux: +32-9/395.95.90**  
**Adresse mail:**  
**co@junoindustries.fr**  
**co@junoindustries.eu**