

Deform-Nut®

SERIE TC/K • TC/KZ

S E R I E S



THREADED TUBULAR RIVET NUT WITH ROUND HEAD IN STAINLESS STEEL 316

APPLICATION
On boxed and tubular sections, metal sheets, other materials.
ASSEMBLY
By specific manual and pneumatic tools.

CODE		Grip range	Total length	Metrical thread	Shaft Ø	Head Ø	thicknesses	Hole Ø
		(s)	(l)	(d1)	(d)	(d3)	(l1)	(d5) +0,15 0
TC M 4/K	TC M 4/KZ	0,5 ÷ 2,0	12,0	M 4	6,0	9,0	1,0	6,0
TC M 5/K	TC M 5/KZ	0,5 ÷ 3,0	12,5	M 5	7,0	10,0	1,0	7,0
TC M 6/K	TC M 6/KZ	0,5 ÷ 3,0	16,0	M 6	9,0	12,0	1,5	9,0
TC/L M 6/K	TC/L M 6/KZ	3,0 ÷ 5,0	18,0					
TC M 8/K	TC M 8/KZ	0,5 ÷ 3,0	17,5	M 8	11,0	15,0	1,5	11,0
TC M10/K	TC M10/KZ	0,8 ÷ 3,5	23,0	M 10	13,0	17,0	1,5	13,0

SERIES TC/K (plain)

MATERIAL

Stainless steel AISI 316 (on demand)

FINITURA

Natural state

EXAMPLE OF CODE DESIGNATION

Threaded tubular rivet nuts with round head, grip thicknesses 2,0 mm, M 6 thread, stainless steel aisi 316: **TC M 6/K**

SERIES TC/KZ (knurled)

MATERIAL

Stainless steel AISI 316 (on demand)

FINITURA

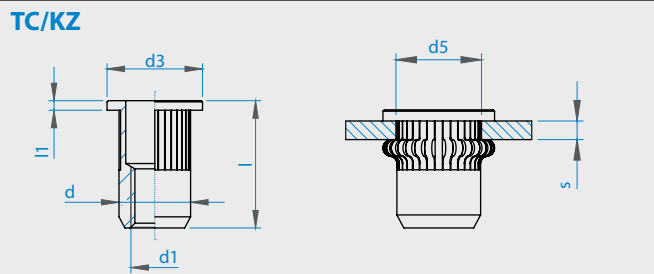
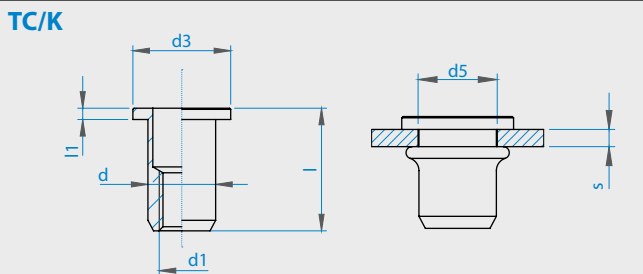
Natural state

EXAMPLE OF CODE DESIGNATION

Threaded tubular rivet nuts with round head and knurled body, grip thicknesses 2,0 mm, M 6 thread, stainless steel aisi 316: **TC M 6/KZ**

Juno Industries BVBA - Stoktevijver 22 - 9930 Zomergem/België/Belgique
 Tel/tél: (0)9/395.95.90 - Fax: (0)9/395.95.91 - co@junoindustries.eu

Non binding dimensions, expressed in mm.



Deform-Nut®

SERIE TFM/K • TFM/KZ

S E R I E S

THREADED TUBULAR RIVET NUT WITH ROUND LOW PROFILE HEAD IN STAINLESS STEEL 316

APPLICATION

On boxed and tubular sections, metal sheets, other materials.

ASSEMBLY

By specific manual and pneumatic tools.



CODE		Grip range	Total length	Metrical thread	Shaft Ø	Head Ø	Head thicknesses	Hole Ø
		(s)	(l)	(d1)	(d)	(d3)	(l1)	(d5) +0,15 0
TFM M 4/K	TFM M 4/KZ	0,5 ÷ 2,0	11,0	M 4	6,0	6,5	0,5	6,0
TFM M 5/K	TFM M 5/KZ	0,5 ÷ 3,0	12,0	M 5	7,0	7,5	0,5	7,0
TFM M 6/K	TFM M 6/KZ	0,5 ÷ 3,0	14,5	M 6	9,0	9,5	0,5	9,0
TFM M 8/K	TFM M 8/KZ	0,5 ÷ 3,0	16,0	M 8	11,0	11,5	0,5	11,0
TFM M10/K	TFM M10/KZ	0,8 ÷ 3,5	21,0	M 10	13,0	13,5	0,7	13,0

SERIES TFM/K (plain)

MATERIAL

Stainless steel AISI 316 (on demand)

SURFACE TREATMENT

Natural state

EXAMPLE OF CODE DESIGNATION

Threaded tubular rivet nuts with low profile head, grip thicknesses 2,0 mm, M 6 thread, stainless steel aisi 316: **TFM M6/K**

SERIES E TFM/KZ (knurled)

MATERIAL

Stainless steel AISI 316 (on demand)

SURFACE TREATMENT

Natural state

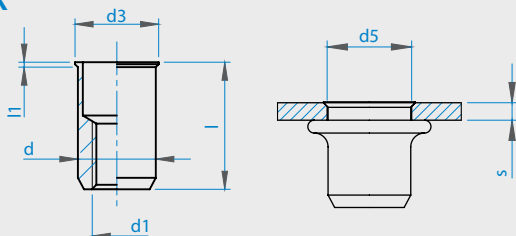
EXAMPLE OF CODE DESIGNATION

Threaded tubular rivet nuts with low profile head and knurled body, grip thicknesses 2,0 mm, M 6 thread, steel: **TFM M6/KZ**

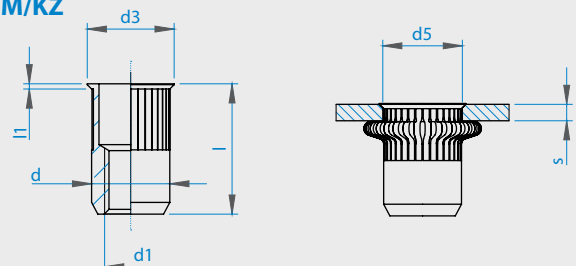
Juno Industries BVBA - Stoktevijver 22 - 9930 Zomergem/België/Belgique
Tel/tél: (0)9/395.95.90 - Fax: (0)9/395.95.91 - co@junoindustries.eu

Non binding dimensions, expressed in mm.

TFM/K



TFM/KZ



Deform-Nut® SERIE ETC/K

S E R I E S

THREADED TUBULAR RIVET NUT WITH ROUND HEAD
AND SEMI-HEXAGONAL SHANK IN STAINLESS STEEL 316



APPLICATION

On boxed and tubular sections, metal sheets, other materials.

ASSEMBLY

By specific manual and pneumatic tools.

CODE	Grip range	Total length	Metrical thread	Shaft Ø	Head Ø	Head thicknesses	Hexagonal hole
	(s)	(l)	(d1)	(ch)	(d3)	(l1)	(d5) +0,15 0
ETC M 4/K	0,5 ÷ 2,0	12,0	M 4	6,0	9,0	1,0	6,0
ETC M 5/K	0,5 ÷ 3,0	12,5	M 5	7,0	10,0	1,0	7,0
ETC M 6/K	0,5 ÷ 3,0	16,0	M 6	9,0	12,0	1,5	9,0
ETC M 8/K	0,5 ÷ 3,0	17,5	M 8	11,0	15,0	1,5	11,0

MATERIAL

Stainless steel AISI 316 (on demand)

SURFACE TREATMENT

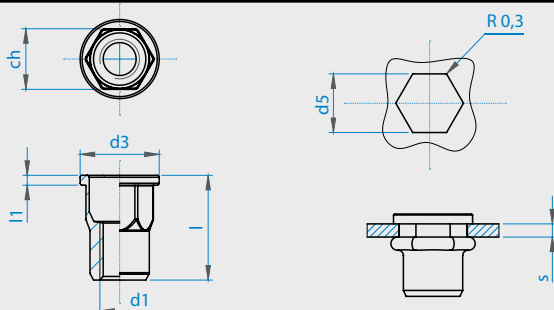
Natural state

EXAMPLE OF CODE DESIGNATION

Threaded tubular rivet nut with round head and semi-hexagonal body, grip thicknesses 2,0mm, M 6 thread, AISI 316 stainless steel: **ETC M 6/K**

Juno Industries BVBA - Stoktevijver 22 - 9930 Zomergem/België/Belgique
Tel/tél: (0)9/395.95.90 - Fax: (0)9/395.95.91 - co@junoindustries.eu

Non binding dimensions, expressed in mm.



Deform-Nut®

SERIE ETFM/K

S E R I E S

THREADED TUBULAR RIVET NUT WITH LOW PROFILE HEAD AND SEMI-HEXAGONAL SHANK IN STAINLESS STEEL 316



APPLICATION

On boxed and tubular sections, metal sheets, other materials.

ASSEMBLY

By specific manual and pneumatic tools.

CODE	Grip range	Total lenght	Metrical thread	Shaft Ø	Head Ø	Head thicknesses	Hexagonal hole
	(s)	(l)	(d1) 6H	(ch)	(d3)	(l1)	(d5) +0,15 0
ETFM M 4/K	0,5 ÷ 2,0	11,0	M 4	6,0	6,5	0,5	6,0
ETFM M 5/K	0,5 ÷ 3,0	12,0	M 5	7,0	7,5	0,5	7,0
ETFM M 6/K	0,5 ÷ 3,0	14,5	M 6	9,0	9,5	0,5	9,0
ETFM M 8/K	0,5 ÷ 3,0	16,0	M 8	11,0	11,5	0,5	11,0

MATERIAL

Stainless steel AISI 316 (on demand)

SURFACE TREATMENT

Natural state

EXAMPLE OF CODE DESIGNATION

Threaded tubular rivet nut with low profile head and semi-hexagonal body, grip thicknesses 2,0mm, M 6 thread, AISI 316 stainless steel: **ETFM M 6/K**

Juno Industries BVBA - Stoktevijver 22 - 9930 Zomergem/België/Belgique
Tel/tél: (0)9/395.95.90 - Fax: (0)9/395.95.91 - co@junoindustries.eu

Non binding dimensions, expressed in mm.

