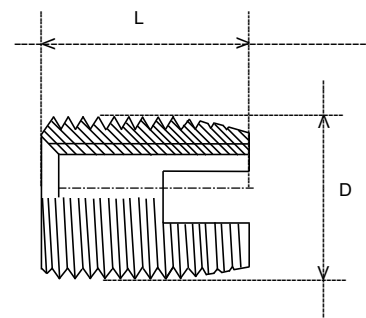




**Insert auto-taraudant fendu du modèle ES**  
**Selftapping slotted insert type ES**

**Modèle 009**  
**Type 009**

N° d'article:	Filetage intérieur:	L:	D:	Ø trou:	Matière:
Article Nr:	Internal thread:			Hole Ø:	Material:
009 256 061	M2,5	6mm	4,5*0,5mm	4,0-4,3mm	Ac zn bl/St zn pl
009 306 01	M3	6mm	5*6,0mm	4,6-4,8mm	Laiton/brass
009 306 061	M3	6mm	5*6,0mm	4,6-4,8mm	Ac zn bl/St zn pl
009 306 005	M3	6mm	5*6,0mm	4,6-4,8mm	Ac zn jaune/St zn yellow pl
009 306 03	M3	6mm	5*6,0mm	4,6-4,8mm	Inox303/Stainless st303
009 408 01	M4	8mm	6,5*0,75mm	5,8-6,2mm	Laiton/brass
009 408 061	M4	8mm	6,5*0,75mm	5,8-6,2mm	Ac zn bl/St zn pl
009 408 005	M4	8mm	6,5*0,75mm	5,8-6,2mm	Ac zn jaune/St zn yellow pl
009 408 03	M4	8mm	6,5*0,75mm	5,8-6,2mm	Inox303/Stainless st303
009 408 07	M4	8mm	6,5*0,75mm	5,8-6,2mm	Inox316/Stainless st316
009 508 061	M5	8mm	8*1,00mm	7,1-7,6mm	Ac zn bl/St zn pl
009 508 005	M5	8mm	8*1,00mm	7,1-7,6mm	Ac zn jaune/St zn yellow pl
009 510 01	M5	10mm	8*1,00mm	7,1-7,6mm	Laiton/brass
009 510 061	M5	10mm	8*1,00mm	7,1-7,6mm	Ac zn bl/St zn pl
009 510 005	M5	10mm	8*1,00mm	7,1-7,6mm	Ac zn jaune/St zn yellow pl
009 510 03	M5	10mm	8*1,00mm	7,1-7,6mm	Inox303/Stainless st303
009 510 07	M5	10mm	8*1,00mm	7,1-7,6mm	Inox316/Stainless st316
009 608 01	M6	8mm	9*1,00mm	8,1-8,6mm	Laiton/brass
009 608 061	M6	8mm	9*1,00mm	8,1-8,6mm	Ac zn bl/St zn pl
009 608 005	M6	8mm	9*1,00mm	8,1-8,6mm	Ac zn jaune/St zn yellow pl
009 610 01	M6	10mm	9*1,00mm	8,1-8,6mm	Laiton/brass
009 610 061	M6	10mm	9*1,00mm	8,1-8,6mm	Ac zn bl/St zn pl
009 610 005	M6	10mm	9*1,00mm	8,1-8,6mm	Ac zn jaune/St zn yellow pl
009 612 01	M6	12mm	9*1,00mm	8,1-8,6mm	Laiton/brass
009 612 061	M6	12mm	9*1,00mm	8,1-8,6mm	Ac zn bl/St zn pl
009 612 005	M6	12mm	9*1,00mm	8,1-8,6mm	Ac zn jaune/St zn yellow pl
009 612 03	M6	12mm	9*1,00mm	8,1-8,6mm	Inox303/Stainless st303
009 614 01	M6	14mm	10*1,50mm	8,6-9,4mm	Laiton/brass
009 614 061	M6	14mm	10*1,50mm	8,6-9,4mm	Ac zn bl/St zn pl
009 614 005	M6	14mm	10*1,50mm	8,6-9,4mm	Ac zn jaune/St zn yellow pl
009 614 03	M6	14mm	10*1,50mm	8,6-9,4mm	Inox303/Stainless st303
009 614 07	M6	14mm	10*1,50mm	8,6-9,4mm	Inox316/Stainless st316



**Juno Industries**  
**Stoktevijver 22**  
**9930 Lievegem**  
**Belgique**  
**www.junoindustries.fr**

Acier 1.0718 trempé & zingué blanc,  
 contient jusqu'à 0,35% de plomb

Steel 1.0718 zinc plated, contains up  
 to 0,35% lead

**Tél France: +33-9.75.18.16.09**  
**Tel BeNeLux: +32-9/395.95.90**  
**Adresse mail:**  
**co@junoindustries.fr**  
**co@junoindustries.eu**

N° d'article: Article Nr:	Filetage intérieur: Internal thread:	L:	D:	Ø trou: Hole Ø:	Matière: Material:
009 812 01	M8	12mm	12*1,50mm	10,8-11,4mm	Laiton/brass
009 812 061	M8	12mm	12*1,50mm	10,8-11,4mm	Ac zn bl/St zn pl
009 812 005	M8	12mm	12*1,50mm	10,8-11,4mm	Ac zn jaune/St zn yellow pl
009 815 01	M8	15mm	12*1,50mm	10,8-11,4mm	Laiton/brass
009 815 061	M8	15mm	12*1,50mm	10,8-11,4mm	Ac zn bl/St zn pl
009 815 005	M8	15mm	12*1,50mm	10,8-11,4mm	Ac zn jaune/St zn yellow pl
009 815 03	M8	15mm	12*1,50mm	10,8-11,4mm	Inox303/Stainless st303
009 815 07	M8	15mm	12*1,50mm	10,8-11,4mm	
009 916 01	M10	15mm	14*1,50mm	12,6-13,4mm	Laiton/brass
009 916 061	M10	15mm	14*1,50mm	12,6-13,4mm	Ac zn bl/St zn pl
009 916 005	M10	15mm	14*1,50mm	12,6-13,4mm	Ac zn jaune/St zn yellow pl
009 918 01	M10	18mm	14*1,50mm	12,6-13,4mm	Laiton/brass
009 918 061	M10	18mm	14*1,50mm	12,6-13,4mm	Ac zn bl/St zn pl
009 918 005	M10	18mm	14*1,50mm	12,6-13,4mm	Ac zn jaune/St zn yellow pl
009 918 03	M10	18mm	14*1,50mm	12,6-13,4mm	Inox303/Stainless st303
009 918 07	M10	18mm	14*1,50mm	12,6-13,4mm	Inox316/Stainless st316
009 926 061	M10	18mm	16*1,50mm	14,6-15,4mm	Ac zn bl/St zn pl
009 926 005	M10	18mm	16*1,50mm	14,6-15,4mm	Ac zn jaune/St zn yellow pl
009 922 01	M12	22mm	16*1,50mm	14,6-15,4mm	Laiton/brass
009 922 061	M12	22mm	16*1,50mm	14,6-15,4mm	Ac zn bl/St zn pl
009 922 005	M12	22mm	16*1,50mm	14,6-15,4mm	Ac zn jaune/St zn yellow pl
009 922 03	M12	22mm	16*1,50mm	14,6-15,4mm	Inox303/Stainless st303
009 922 07	M12	22mm	16*1,50mm	14,6-15,4mm	Inox316/Stainless st316
009 924 061	M14	24mm	18*1,50mm	16,6-17,4mm	Ac zn bl/St zn pl
009 952 061	M16	22mm	20*1,50mm	18,8-19,4mm	Ac zn bl/St zn pl
009 952 005	M16	22mm	20*1,50mm	18,8-19,4mm	Ac zn jaune/St zn yellow pl
009 952 03	M16	22mm	20*1,50mm	18,8-19,4mm	Inox303/Stainless st303
009 952 07	M16	22mm	20*1,50mm	18,8-19,4mm	Inox316/Stainless st316
009 207 061	M20	27mm	26*1,50mm	24,8-25,4mm	Ac zn bl/St zn pl
009 207 005	M20	27mm	26*1,50mm	24,8-25,4mm	Ac zn jaune/St zn yellow pl
009 207 03	M20	27mm	26*1,50mm	24,8-25,4mm	Inox303/Stainless st303
009 207 07	M20	27mm	26*1,50mm	24,8-25,4mm	Inox316/Stainless st316
009 240 061	M24	30mm	30*1,50mm	28,8-30,4mm	Ac zn bl/St zn pl
009 240 005	M24	30mm	30*1,50mm	28,8-30,4mm	Ac zn jaune/St zn yellow pl
009 240 03	M24	30mm	30*1,50mm	28,8-30,4mm	Inox303/Stainless st303

